

OZONE FEED INSTALLATION/STARTUP

1. The 3/4" side port on the skimmer will need to be drilled with a 5/8" bit and the tube adapter fitting installed in the end of the pipe before it is connected to the skimmer socket Fig. 1.
2. Plumb a loop in the 3/4" line above water level and then back down before crossing yard to the equipment to avoid this line filling with water. Fig. 2
3. Run a 3/4" schedule 40 PVC line from the end of the loop back to the pool equipment and stub up for later use to connect the ozone generator for injection of ozone to the skimmer.
4. To pressure test the ozone feed pipe, install the provided 1/4" NPT plug. Connect stand pipe at equipment to header.
5. **At start up with optional ozone venturi feed line.** Before installing the dual pressure nozzle in the skimmer venturi return line, insert the short end of the tubing kit into the side of the dual nozzle assembly. Insert the dual nozzle into the skimmer then plug the long end of the tubing kit into the port on the side of the skimmer below the basket rim. Fig. 3

Fig. 1
Feed tubing kit

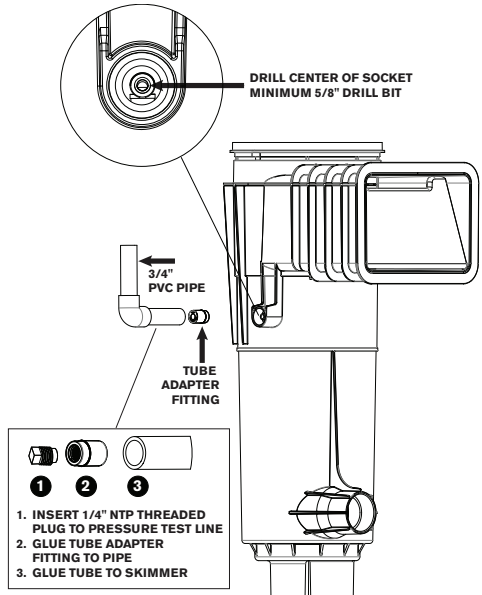


Fig. 2
Plumbing

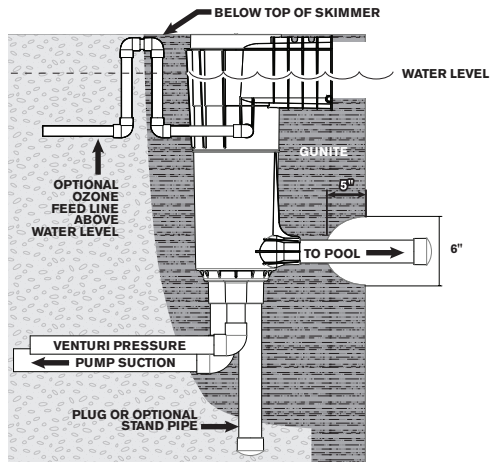
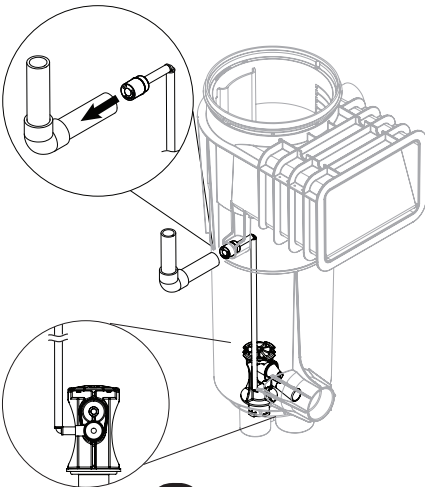
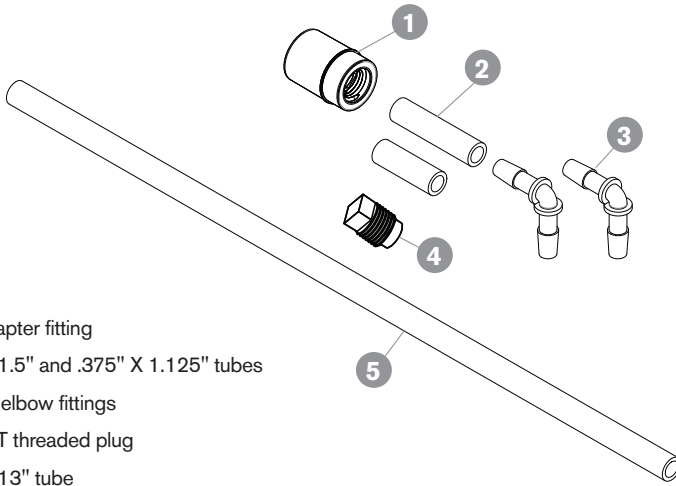


Fig. 3
Ozone venturi feed line



OZONE FEED KIT PARTS



1. Tube adapter fitting
2. .375" X 1.5" and .375" X 1.125" tubes
3. (2) barb elbow fittings
4. .25" NPT threaded plug
5. .375" X 13" tube

Part Number

Description

005-702-0002-00

Ozone injection feed tubing kit