

MINI-BUBBLER



TELESCOPING WATER FEATURE

VINYL POOL INSTALLATION MANUAL

295 East Corporate Place • Suite 100 • Chandler, AZ 85225
Toll Free: 1.800.621.5886 • Phone: 480.893.7607 • Fax: 480.753.3397
Paramount@1Paramount.com • www.1Paramount.com
004-027-8787-00 REV 111713



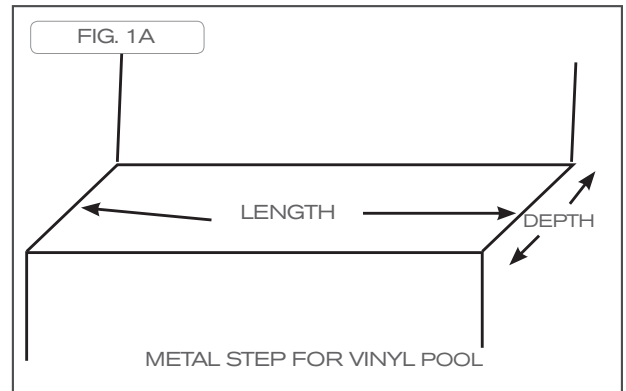
Paramount

Pool Life. Simplified.

PARASCOPE VINYL POOL INSTALLATION ON METAL OR CONCRETE STEPS/BENCHES OR FLOORS

The radius of the fountain head of the Parascope is (Bubbler 1 foot. Be sure the nozzle is placed so it does not splash on the pool deck.

Keep in mind that wind and water pressure can affect the radius. Measure and mark the placement for the vinyl bulk head fitting both depth and length wise **Figure 1A** If the Parascope liner fitting is going on steps or benches keep the center of the body at least at least 6 inches from any vertical walls. Note: the maximum water depth the Mini Parascope can be set at is 18 inches.



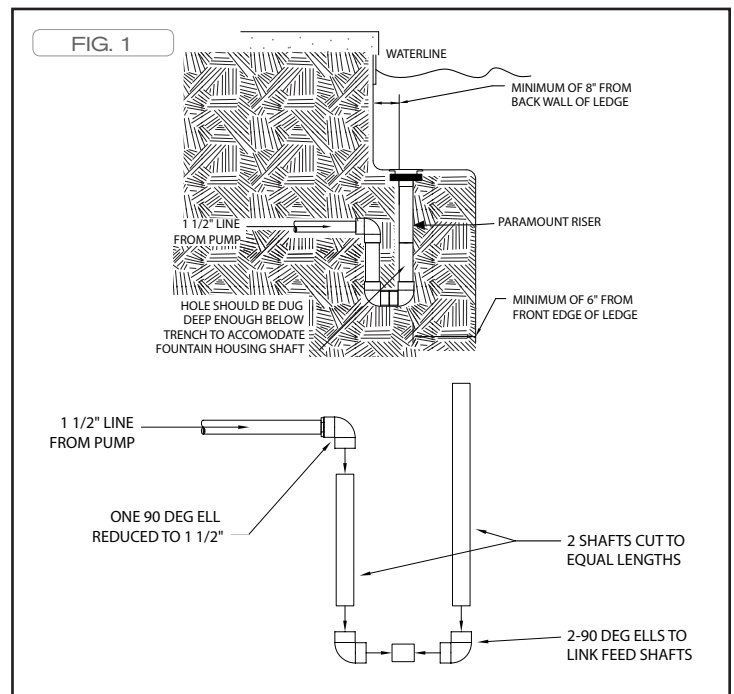
NOTE: If using Vinyl over Concrete, Vermiculite or other poured and troweled steps or floors skip to Page 4. Vinyl Parascope over poured steps, benches.

FOR PARASCOPE ON METAL STEPS ON VINYL POOLS

1. Dig a hole for the Parascope housing that will align with the fountain bulkhead placement on the step or bench. Note the housing will need to be long enough to accommodate the fountain risers.

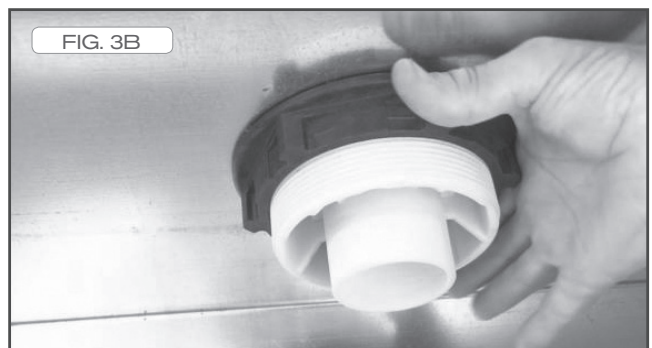
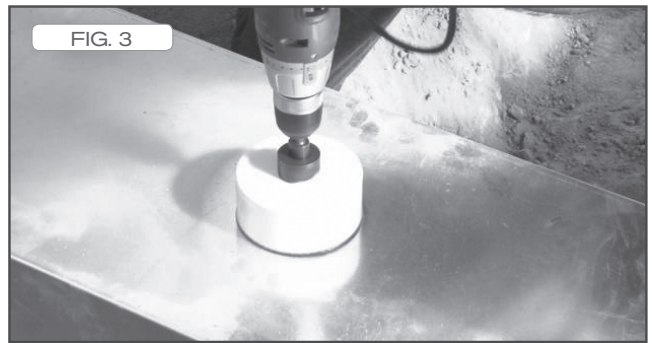
Figure 1

2. NOTE: Maximum water depth that they can be installed is 18 inches, and the fountain can be plumbed no closer than 6 inches from the center point of the fountain or the edge of the bulkhead, front edge of the step or shelf area or 8 inches from the back or side of the step or shelf area.
3. Measure and mark your step or bench for the location of the Parascope. **(NOTE: this must line up with the hole)**
4. Drill a pilot hole at each mark. **Figure 2**



5. Use a 4 ½ inch Greenlee Punch or Drill a 4 ½ inch hole using a carbide or diamond tipped whole saw. The above tools will center on the pilot hole on the step or bench. **Figure 3**
6. Clean off all shavings and insert the Vanquish step body with the gasket (ribbed side up) between the top surface of the step/bench and the flange on the step body **Figure 3A** Insert the bulk head fitting through the step and install the bulkhead nut on the under side of the bulk head fitting. Secure the bulk head firmly to the step **Figure 3B**. **Figure 3C** shows the completed step/bench body installed to the metal steps.
7. Plumb the Parascope housing to the Vinyl Parascope bulk head fitting using a two inch coupler.
8. Each Fountain must be fed by a separate 1½" plumbing circuit with a gate valve to allow for individual adjustment. **Figure 6A, 6B, 6C, PAGE 5.**
9. Backfill the plumbing trenches and hole making sure to maintain the vertical alignment of the Parascope. **WARNING!** If the Fountain Housing is not plumbed vertically it will not retract properly. Never heat bend or angle the raiser for the fountain when installing on a sloped surface.

NOTE: Pressure test plugs are available for the Parascope step/bench bulkhead fitting (part number 004-627-1642-00) to pressure test the plumbing which is recommended by Paramount.



VINYL PARASCOPE OVER POURED STEPS, BENCHES OR FLOOR

1. Dig a hole for the Parascope housing that will align with the fountain bulkhead placement on the step or bench. Note the housing will need to be long enough to accommodate the fountain riser. **Figure 1**

NOTE: Maximum water depth that they can be installed is 18 inches, and the fountain can be plumbed no closer than 6 inches from the center point of the fountain or the edge of the bulkhead, front edge of the step or shelf area or 8 inches from the back or side of the step or shelf area.

Figure 1

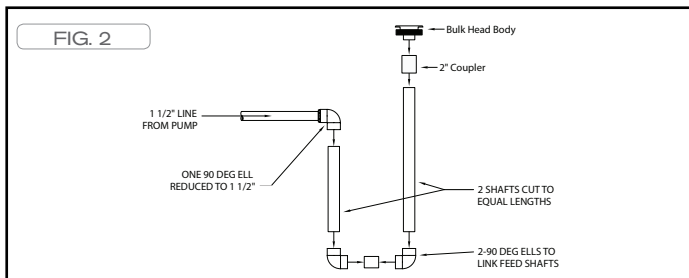
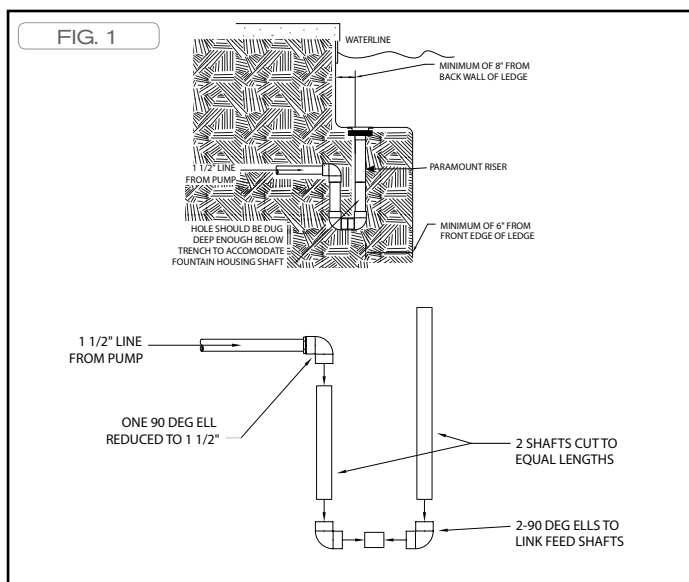
2. Plumb the Parascope housing to the Vinyl Parascope bulk head fitting using a two inch coupler. **Figure 2**

3. Backfill the plumbing trenches and hole making sure to maintain the vertical alignment of the Parascope. **WARNING!** If the Fountain Housing is not plumbed vertically it will not retract properly. Never heat bend or angle the raiser for the fountain when installing on a sloped surface.

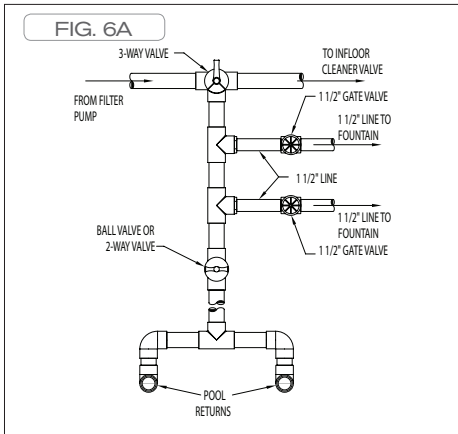
4. Concrete steps, thread the bulkhead nut on halfway up the threads. **Figure 3A** Be sure that the underside of the bulkhead flange is level with the finished concrete. **Figure 3B**

5. Each Fountain must be fed by a separate plumbing circuit with a gate valve to allow for individual adjustment. **Figure 6A, 6B, 6C, PAGE 5**

NOTE: Pressure test plugs are available for the Parascope step/bench bulkhead fitting (part number 004-627-1642-00) to pressure test the plumbing which is recommended by Paramount.

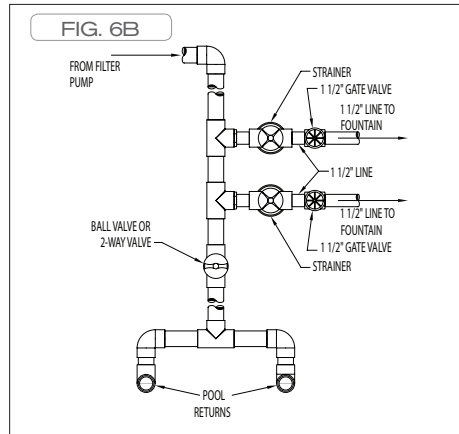


PARAMOUNT FOUNTAIN MANIFOLD PLUMBING



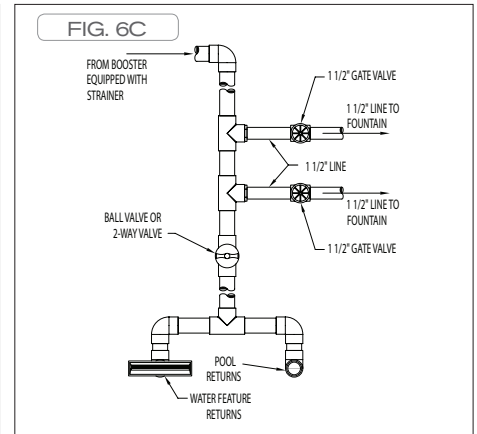
With Infloor Cleaning System Figure 6A

1. The feed line to the Paramount Fountain should draw water from the line to the wall returns. Do not plumb the Paramount Fountain in line with the infloor cleaning system. A 3-way valve should be used to turn on either the returns or the infloor cleaning system.
2. Each Fountain that is installed should be run with its own 1-1/2" gate valve to allow adjustment of water flow to each fountain individually for the desired effect.
3. Do Not use a 2-way or 3-way valve in place of the gate valve to the Fountains. 2-way and 3-way valves do not easily make minor adjustments and may damage the Fountainheads.
4. A 2-way ball valve must be plumbed between the tee to the last Fountain and the wall returns so the Fountains water heights may be adjusted individually.



With Wall Returns – No Infloor System Figure 6B

1. Each Fountain that is installed should be run with its own 1-1/2" gate valve to allow adjustment of water flow to each fountain individually for the desired effect.
2. Do Not use a 2-way or 3-way valve in place of the gate valve to the Fountains. 2-way and 3-way valves do not easily make minor adjustments and may damage the Fountainheads.
3. A 2-way ball valve must be plumbed between the tee to the last Fountain and the wall returns so the Fountains water heights may be adjusted individually.



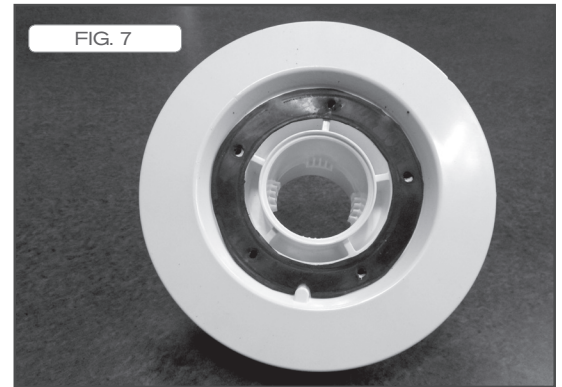
With Wall Returns & Water Features Figure 6C

1. Fountains using a Booster Pump must have a strainer such as a Jandy Energy Filter (Part# 3456) between the pump and the fountains.
2. If a Booster Pump is used to run Water Features in the pool it is imperative to have a means of bleeding off the excess water that does not go through the Fountains. This can be accomplished by adding other water features and wall returns.
3. Each Fountain that is installed should be run with its own 1-1/2" gate valve to allow adjustment of water flow to each Fountain individually for the desired effect.
4. DO NOT use a 2-way or 3-way valve in place of the gate valve to the Fountains. 2-way and 3-way valves do not easily make minor adjustments and may damage the Fountainheads.
5. A 2-way ball valve must be plumbed between the tee to the last Fountain and the wall returns so the Fountains water heights may be adjusted individually.

PRE-LINER PREPARATION

1. Affix the 1/16 inch gasket to the flange aligning the notch of the gasket to the key in the bulkhead fitting.
2. Use an adhesive to assure that the gasket stays in place and the screw holes are aligned. Allow the adhesive time to set according to the manufactures instructions before installing the liner.

Figure 7

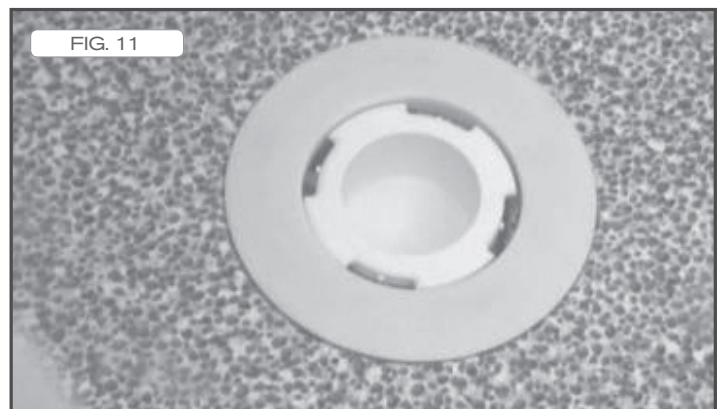
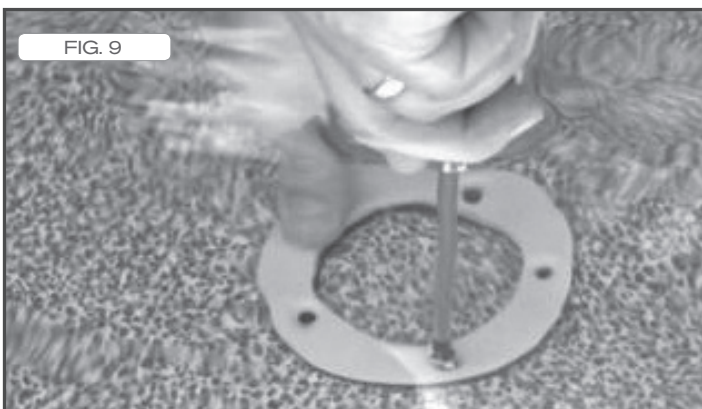


POST LINER FLANGE, COLOR RING AND NOZZLE INSTALL

1. While the liner is being installed, with your fingers find the keyed area in the body **Figure 8**. With an adhesive glue attach the keyed gasket to the keyed flange and then place on top of the liner with the keyed body and flange fitting together into the body.
2. Then screw in the screws to hold the flange in place **Figure 9**. When secure you can cut the liner away from the inside of the flange. **Figure 10**

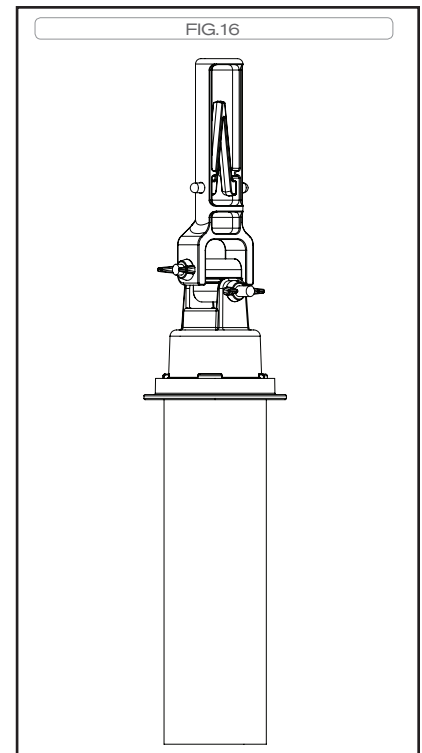
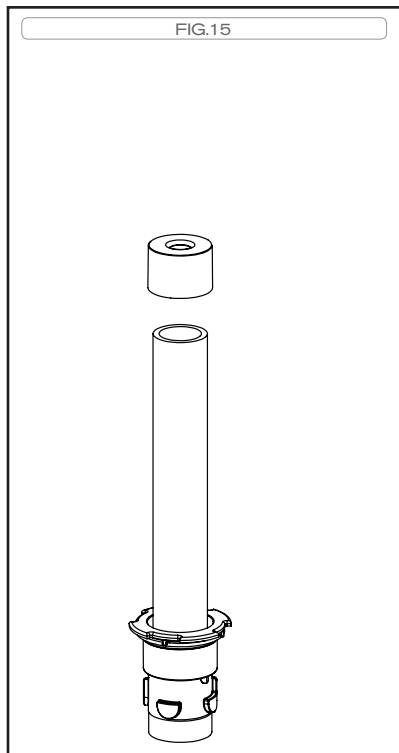
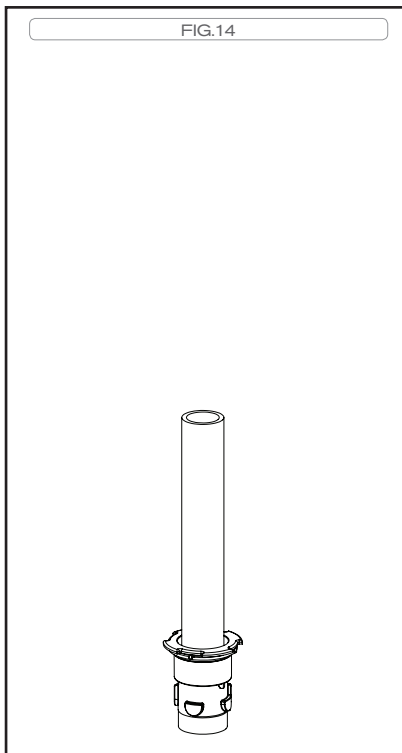
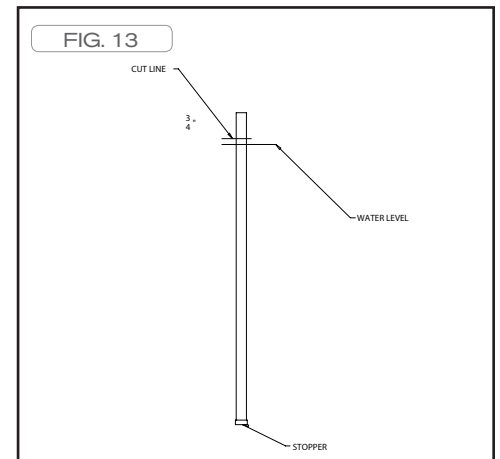
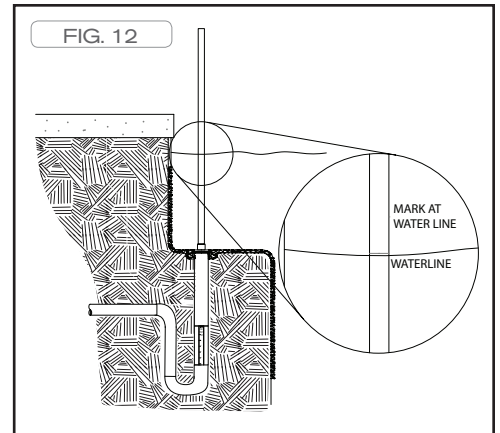
3. At this point the pressure test plugs, if used, can be removed and saved for the next pool **Figure 11**.
4. The color ring can now be installed on top of the flange **Figure 11**.

Note: if for some reason you need to remove the color ring after it is installed pull it off from the inside edge.

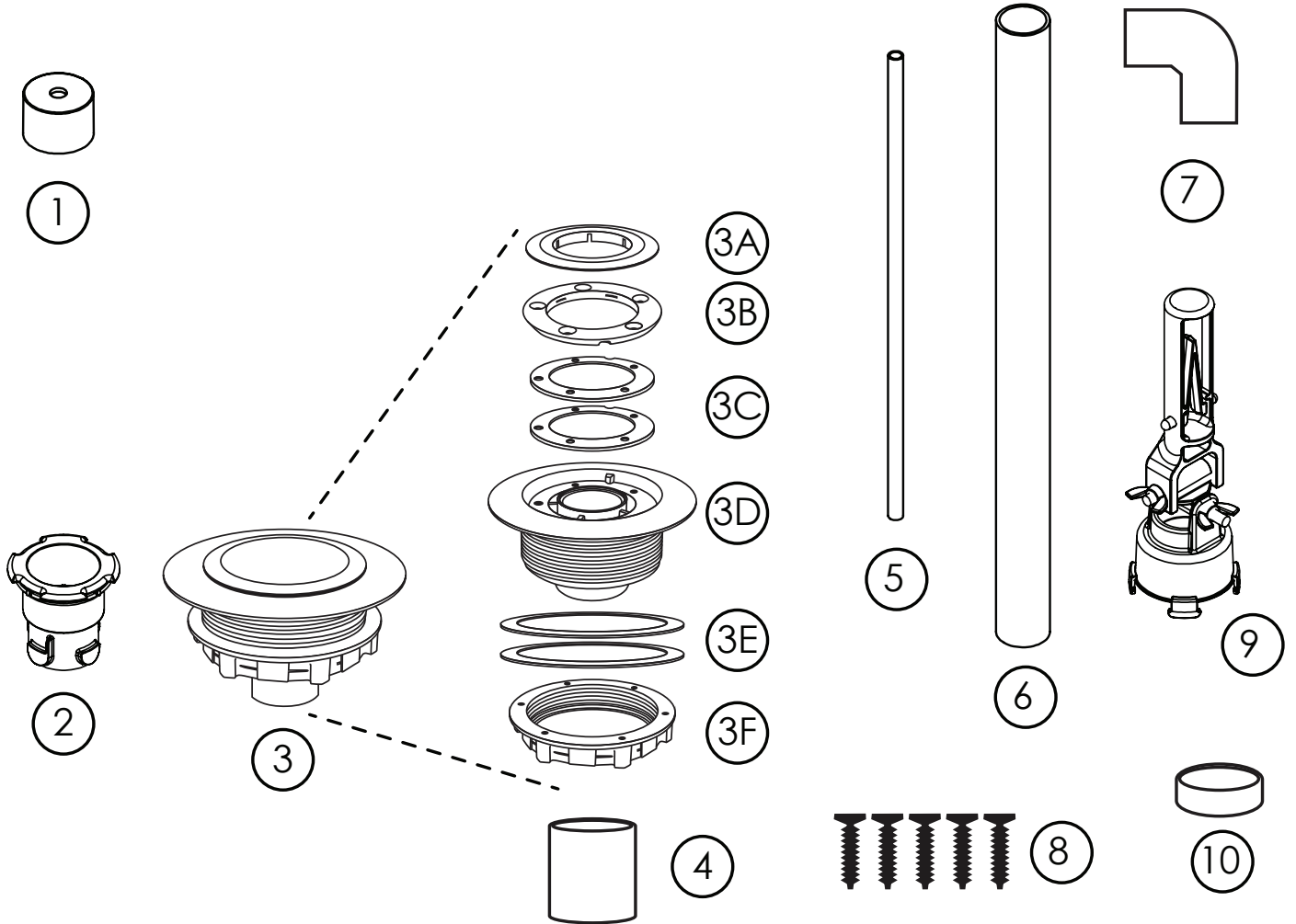


FOUNTAIN STARTUP INSTRUCTIONS

1. If installed, remove test plug from Fountain and blow out the lines to remove any construction debris that may be in the pipes.
2. Glue the plastic stop on the end of the fountain shaft **Figure 13**. Set the end of the fountain shaft with the stopper down over the fountain body and mark the water level on the shaft. **Figure 12**
3. Using the shaft, measure and mark an additional $\frac{3}{4}$ inches away from the stopper end. **Figure 13**
4. Cut fountain shaft at the farthest mark from the stopper end.
5. Insert the fountain shaft through the fountain retainer so the bottom of the fountain retainer is next to the stopper that is glued to the shaft. **Figure 14**
6. Bubbler Fountain **Figure 15**
 - a. Glue the bubbler cap over the end of the fountain shaft opposite the stopper.
 - b. Wipe off any excess glue.
7. Install the fountain assembly **Figure 16** into the fountain body in the pool using the 4-pronged nozzle tool.



PARASCOPE PARTS - VINYL



Parascope Fountain Finish Kit

Item	Part Number	Description
1	005-059-2502-XX	Bubbler Nozzle
2	**	Retainer
3	**	Bulkhead Body Unit
3A	**	Color Cover
3B	**	Ring Bulkhead
3C	**	Gasket Bulkhead
3D	**	Body Bulkhead
3E	**	Gasket Bulkhead Wall Drain
3F	**	Nut Bulkhead Wall Drain
4	**	2' Slip Coupler
5	**	Bubbler Shaft
6	**	Housing Shaft
7	**	2" Slip Elbow
8	**	1" Screws
9	004-627-5452-00	Fountain Tool
10	**	Plastic Stops

Parascope Mini-Bubbler Fountain Complete - Vinyl

Item	Part Number	Description
Single Unit	004-059-2671-XX	Available colors (01 White, 02 Gray, 03 Black, 05 Blue, 07 Beige, 08 Light Grey)

